

Technical specifications
(1/3)

Copenhaguen 1996

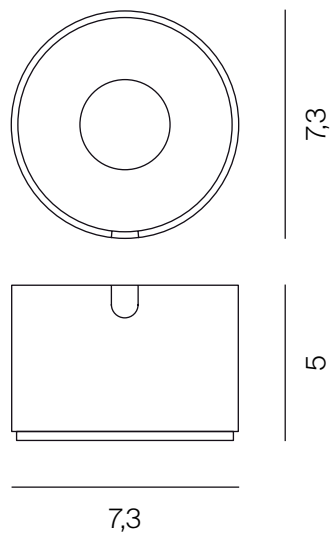
By André Ricard



Mobles14

Technical specifications

(2/3)



*Metric unit cm

PRODUCT

Units	Weight
1	4,2 kg

PACKAGING

Units	Weight	Dimensions	Volumen
2	0,25kg	52x52x40 cm	0,10m ³

Supplied in boxes of 2 units of the same color or combined | All packaging is double recyclable cardboard.

COLORS



Black

Red

Technical specifications

(3/3)

MATERIALS AND FINISHES

Structure

Element made of red or black melamine plastic injection.
A single cylindrical piece with a 7,5 cm diameter, from which another smaller interior cylinder (3 cm in diameter) emerges.
The cigarette is supported or extinguished on this element.
The mouthpiece on the outer wall, matching the rest of the ashtray, is ideal for holding a cigarette.

MAINTENANCE

Clean with a damp cloth with mild soap and water. Rinse and dry with a dry cloth. Avoid using abrasive products.