

Technical specifications  
(1/3)

# Platea

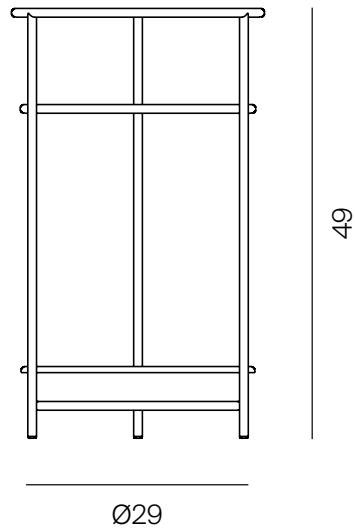
By JM Massana - JM Tremoleda



**Mobles14**

# Technical specifications

(2/3)



\*Metric unit cm

## PRODUCT

Units	Weight
1	3 kg

Units	Weight	Dimensions	Volume
1	3,5 kg	30x30x53	0,047 m <sup>3</sup>

All packaging is double recyclable cardboard.

## MATERIALS AND COLORS

Structure



Cromed

Container



RAL 9006

# Technical specifications

(3/3)

## MATERIALS AND FINISHES

### Structure

A ring located at the top and a triangle at the bottom, which acts as a support for the container, are welded to three vertical rods, forming the structure.

Made with 10 mm diameter steel rods, calibrated and polished.  
Bright chrome finish.

On the bottom, three black plastic stoppers are fixed, which separate the structure from the floor by 2 mm.

### Container

Circular tray with a diameter of 250 mm and a height of 40 mm, made of spun aluminum sheet, 1 mm thick.

Finished in aluminum color RAL 9006.

## MAINTENANCE

Clean with a damp cloth with mild soap and water. Rinse and dry with a dry cloth. Avoid using abrasive products