

Technical specifications
(1/2)

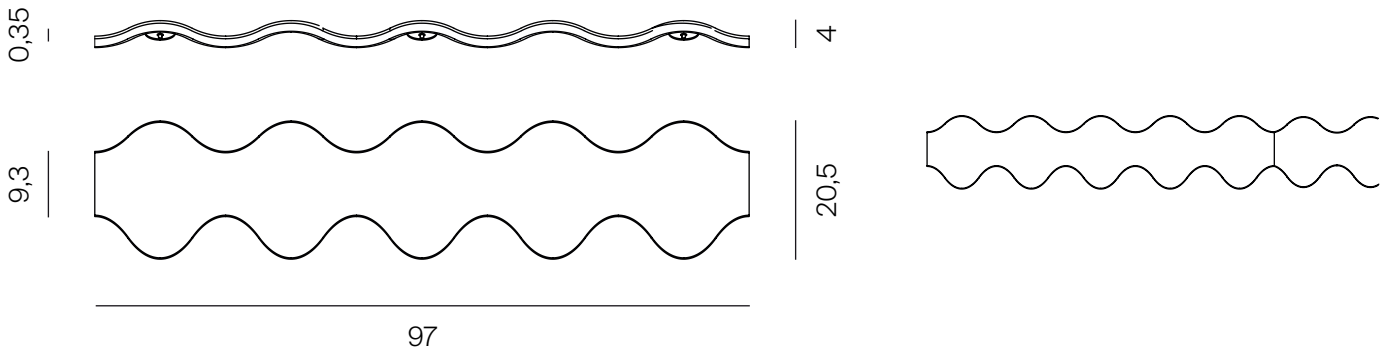
Ona

By M Padrós & C Ricard



Technical specifications

(2/2)



*Metric unit cm

PRODUCT

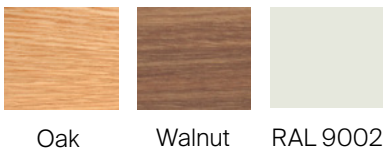
Units	Weight
1	2 kg

PACKAGING

Units	Weight	Dimensions	Volume
1	4,2 kg	23,5x99x9 cm	0,023 m ³

All packaging is double recyclable cardboard.

MATERIALS AND COLORS (wood)



MATERIALS AND FINISHES

Structure

Body made of beech plywood. In the oak and walnut hangers, the last sheet is made of 1mm natural wood and in the lacquered hangers the last sheet is made of 2.5 mm thick MDF. Available with different finishes: Natural oak and walnut veneer, or RAL 9002 white lacquer.

The pieces attached to the wall are made of galvanized steel sheet. Hardware is supplied to fix the hanger to the wall.

MAINTENANCE

Clean with a damp cloth with mild soap and water. Rinse and dry with a dry cloth. Avoid using abrasive products.