

Technical specifications
(1/3)

Taiga foot

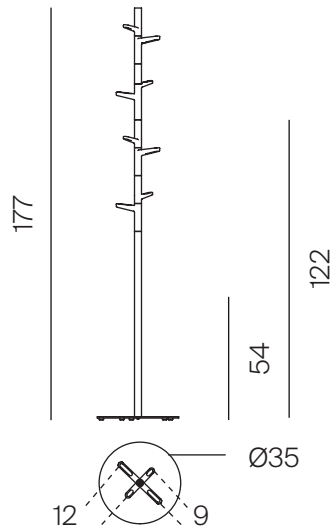
By Antoni Arola



Mobles14

Technical specifications

(2/3)



*Metric unit cm

PRODUCT

Units	Weight
1	6,5 kg

PACKAGING

	Units	Weight	Dimensions	Volume
Base and Coat Rack	1	7 kg	43,5x43,5x12 cm	0,02 m ³
Tube	1	1,5 kg	180x6x6 cm	0,006 m ³

All packaging is double recyclable cardboard.

MATERIALS AND COLORS



RAL 9002 RAL 7022

Technical specifications

(3/3)

MATERIALS AND FINISHES

Finishes: white (RAL 9002), turquoise (RAL 6034) and dark grey (RAL 7022). All metallic pieces are finished with epoxy powder coating, 80 micron, 30% matt.

Base

Circular base with 350 mm diameter made of steel plate, 6 mm thick. Five locations to place ferrules made of polyamide, black colour, are placed on the inferior side and separated 8mm from the pavement.

Structure

Central structure made up with 2 circular tubes: bottom tube made of aluminium, 30x2 mm diameter; top tube made of steel, 20x1.5 mm diameter. The umbrella stand-hanger model consists of two tubes. In the bottom tube it fits, at each end, the same machined piece that permits the union of the two tubes, allowing threading it to the base.

Coat Racks

They are made of high impact polystyrene injection piece. Its design allows fitting one piece to the other, concealing the top tube. Thanks to its shape and inclination, different types of clothes, accessories and hangers can be hanged on it. The components are fixed to the tube by means of a screw and a washer.

ACCESSORIES

Hangers

They are made of an injected piece by transparent polycarbonate and a chromed iron hook, rounded at the edge to avoid any damage on the clothes hanged on it. This component is placed on the mould when it is injected, thus achieving a single piece. They are supplied in 6- unit packs.

MAINTENANCE

Clean with a damp cloth with mild soap and water. Rinse and dry with a dry cloth. Avoid using abrasive products.