

Technical specifications
(1/3)

Gimlet stool

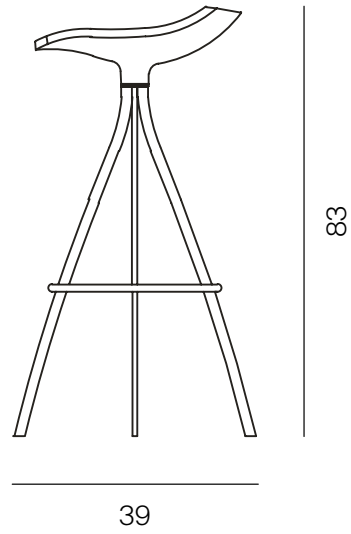
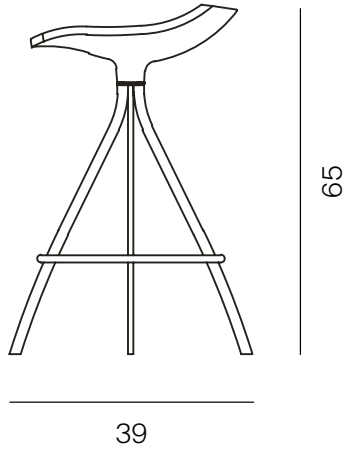
By Jorge Pensi



Mobles14

Technical specifications

(2/3)



*Metric unit: cm

PRODUCT

	Units	Weight
Stool 65	1	5 kg
Stool 83	1	5,5 kg

PACKAGING

	Units	Weight	Dimensions	Volume
Stool 65	1	6,5 kg	40x38x68 cm	0,10 m ³
Stool 83	1	7 kg	40x38x86 cm	0,13 m ³

All packaging is double recyclable cardboard.

MATERIALS AND COLORS 65

Seat (polyurethane)



RAL 9004 RAL 7006

Structure (steel)



RAL 9004 RAL 7006

Footrest (steel)



Matt chrome

Technical specifications

(3/3)

CERTIFICATIONS AND REGULATIONS

Fire retardant: UNE EN 1021-1 and UNE EN 102-2

Structural resistance, severe public use: UNE 11010:89 and UNE 11020-2:92

Footrest resistance: UNE EN 1022:98 de estabilidad and ANSI-BIFMA X 5.1:93

MATERIALS AND FINISHES

Structure

The structure consists of 4 cold-rolled ST-37 steel tubes with a cross-section of 20x10x1.5 mm. They are welded together at the top, where a turned piece is also welded, which serves as a positioner for the seat and at the same time allows the seat to swivel.

The assembly is painted in the same colour as the seat, beige grey RAL 7006 or black. Epoxy powder paint 80 microns, 30% matt textured.

A 355 mm diameter ring, which is fixed to the frame, acts as a footrest and at the same time makes the element more resistant. This element is made of 14 mm ø 14 mm steel tube, 1.5 mm thick. Matt chrome finish.
The 4 floor support points are protected with plastic stoppers.

Seat

An internal metal frame, made of 8 mm diameter steel rod and 15x3 mm steel handrail, is covered with PUR polyurethane foam (hardness 70-75 Sh A).

This structure incorporates an INA bearing with Permaglide technology that allows continuous, low-wear sliding without the need for lubrication with oil or grease.

Finished in beige grey RAL 7006 or black RAL 9004.

MAINTENANCE

Clean with a damp cloth with mild soap and water. Rinse and dry with a dry cloth. Avoid using abrasive products.