

Ficha técnica
(1/4)

OM Textil

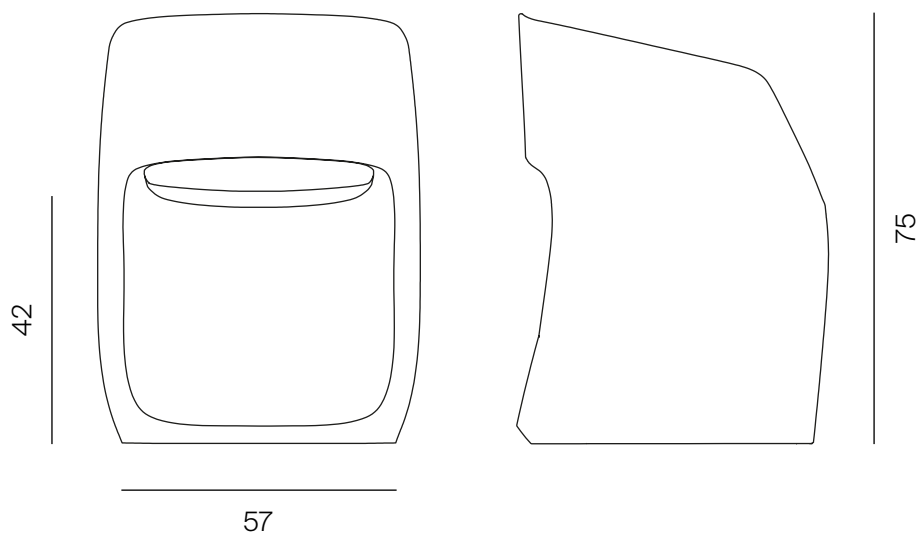
By Martín Azúa



Mobles114

Ficha técnica

(2/4)



*Unidad métrica cm

PRODUCTO

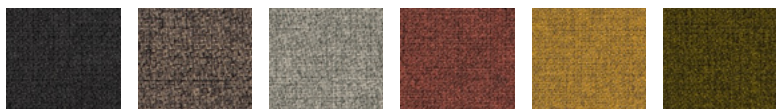
Unidades	Peso
1	8,5 kg

EMBALAJE

Unidades	Peso	Dimensiones	Volumen
1	14 kg	57x63x85 cm	0,30 m ³

Todas las cajas de embalaje son de cartón doble reciclable.

MATERIALES Y COLORES (polietileno tapizado)



Gris oscuro 60021	Marrón 61103	Gris claro 61104	Terracota 61151	Mostaza 62057	Verde 68165
----------------------	-----------------	---------------------	--------------------	------------------	----------------

*Consultar nuestro catálogo textil para ver todos los acabados.

Ficha técnica

(3/4)

CERTIFICACIONES Y NORMATIVAS

Ignifugidad: UNE EN 1021-1 y UNE EN 102-2

MATERIALES Y ACABADOS

Estructura interna de polietileno tipo ICORENE 3590 de densidad media, fabricada con la técnica del rotomoldeo.

Se recubre con espuma foamizada ignífuga de 15 mm.

La funda final está fabricada con distintos tejidos del catálogo Mobles114. Cierre de cremallera oculta.

No desenfundable.

TELA Gabriel Cura

Características técnicas:

Material: Post - costumer recycled polyester · polyester 98% · 2%

Weight: 420 g/lm · (13.55 oz/lin.yd.)

Width: 140 cm · (55")

Abrasion resistance: Rubs · BS EN 14465 · BS EN ISO 12947-2 (Martindale) 100,000. Double rubs wyzenbeek (ASTM D4157) (Heavy Duty Upholstery) 100,000

Pilling: Scale 1-5 max. 5 · EN ISO 12945-2

Maintenance: Wash or dry cleaning. Flame retardant performance is dependent upon the foam used. Contain no Flame Retardant chemical.

Flammability: EN 1021 1&2 · BS 5852 0&1 · CA TB 117 - 2013

Will also pass other flammability standards.

40°C · Shrinkage max. 1,0%

60°C · Shrinkage max. 2,0%

TELA Spardling Valencia

Características técnicas:

Material: Vinyl / Urethane

Weight: 650 g/m²

Width: 137 cm · (53")

Abrasion resistance: >300.000 cycled (Martindale)

Pilling: Scale 1-5 max. 5 · EN ISO 12945 - 2

Maintenance: For light soiling, a solution of 10% household liquid dishsoap in warm water, applied with a soft damp cloth. Rinse with clean water and dry. Do not use with alcohol based cleaning agents.

Flammability: EN: 1021 1&2 · ES: UNE 23.727-90 1R/M.2 · FR: NF P 92-503/M2 DE: DIN 4102 B2 · AT: ÖNORM B 3825, Gruppe 1 - Schwerebrennbares IT: UNI 9175 (1987) / UNI 9175/FA1 (1994) Classe 1.IM (UNO I EMME) AT: ÖNORM A 3800 Teil 1, Qualmbildungsklasse Q1 - schwachqualmend IMO FTP 2010 Code MSC.307 (88) Part 8 3.1 & 3.2 · US: FMVSS 302 US: FAR 25/853 · ECE R118.02 (replaces Directive 95/28/CE) 6, 7 & 8 EN 71-2:2006+A1:2007 - Safety of Toys - Parte 2: Flammability

TELA Gabriel Step

Características técnicas:

Material: Trevira CS 100%

Weight: 470 g/lm · (15.16 oz/lin.yd.)

Width: 140 cm · (55")

Abrasion resistance: Rubs · EN ISO 12947-2 (Martindale) 100,000 Double rubs wyzenbeek (ASTM D4157-07) (Heavy duty upholstery) 100,000.

Pilling: Scale 1-5 max. 5 · EN ISO 12945 - 2

Maintenance: Wash or dry cleaning. Can be wiped with Virkon S, Actichlor Plus, Prime Source ren 93 or Ethanol (70-85%). Always follow the manufacturer's instructions and finish by wiping with a damp cloth. 60°C · Shrinkage max. 3,0% / 74°C · Shrinkage max. 5,0%

Flammability: CA TB 117 - 2013 BS 7176 Medium Hazard. AM 18 - NF D 60-013-(only for fabric) · DIN 4102 B1 · NFP 92-503/504/505 M1. BS EN 1021 1&2 · BS 5852 Part 1 0,1 Cigarette & match · BS 5852 Crib 5. Class Uno UNI 9175 Class 1 | EMME · ÖNORM B 3825 - B1 - 3800 - Q1 UK. FAR/JAR 25.853 (a) (i) (ii) · IMO MSC 307(88) Anne x 1 part 8. MED Certificate IMO · DIN EN 13501 - 1 B-s1, d0. Will also pass other flammability standards. Flame retardant performance is dependent upon the foam used.

TELA Gabriel Step Melange

Características técnicas:

Material: Trevira CS 100%

Weight: 470 g/lm · (15.16 oz/lin.yd.)

Width: 140 cm · (55")

Abrasion resistance: Rubs · EN ISO 12947-2 (Martindale) 100,000 Double rubs wyzenbeek (ASTM D4157-07) (Heavy duty upholstery) 100,000.

Pilling: Scale 1-5 max. 5 · EN ISO 12945 - 2

Maintenance: Wash or dry cleaning. Can be wiped with Virkon S, Actichlor Plus, Prime Source ren 93 or Ethanol (70-85%). Always follow the manufacturer's instructions and finish by wiping with a damp cloth. 60°C · Shrinkage max. 3,0% / 74°C · Shrinkage max. 5,0%

Flammability: CA TB 117 - 2013 BS 7176 Medium Hazard. AM 18 - NF D 60-013-(only for fabric) · DIN 4102 B1 · NFP 92-503/504/505 M1. BS EN 1021 1&2 · BS 5852 Part 1 0,1 Cigarette & match · BS 5852 Crib 5. Class Uno UNI 9175 Class 1 | EMME · ÖNORM B 3825 - B1 - 3800 - Q1 UK. FAR/JAR 25.853 (a) (i) (ii) · IMO MSC 307(88) Anne x 1 part 8. MED Certificate IMO · DIN EN 13501 - 1 B-s1, d0.

Will also pass other flammability standards. Flame retardant performance is dependent upon the foam used.

Ficha técnica

(4/4)

TELA Gabriel Capture

Características técnicas:

Material: New Zealand wool · polyamide 85% · 15%

Weight: 475 g/lm 3 (15.32 oz/lin.yd.)

Width: 140 cm · (55")

Abrasion resistance: Rubs · BS EN 14465 · BS EN ISO 12947 - 2 (Martindale) rubs 200,000. Martindale · ASTM D4966 - 02 (Heavy Duty Upholstery) 200,000

Pilling: Scale 1-5 max. 5 · EN ISO 12945 - 2

Maintenance: Dry cleaning

Flammability: EN 1021 1&2 · BS 5852 0&1 · CA TB 117 - 2013. Class

Uno UNI 9175 Class 1 | EMME

Will also pass other flammability standards. Flame retardant performance is dependent upon the foam used. Contain no Flame Retardant chemical.

TELA Kvadrat Remix 2

Características técnicas:

Material: New wool · Nylon 90% · 10%

Weight: 415 g/lm · (14.63 oz/lin.yd.)

Width: 138 cm · (54")

Abrasion resistance: Rubs · EN ISO 12947 (Martindale) 100.000

Pilling: Note 4, EN ISO 12945

Maintenance: Vacuuming and dry cleaning

Flammability: AS/NZS 1530.3 · BS 5852 Crib 5 with treatment · BS 5852 part 1. EN 1021-1/2 · IMO FTP Code 2010: Part 8 · NF D 60 013

· NFPA 260. Önorm B1/Q1 · UNI 9175 1IM · US Cal. Bull. 117-2013.

No use of brominated flame retardants

TELA Kvadrat Divina Melange

Características técnicas:

Material: New wool 100%

Weight: 820 g/lin.m

Width: 150 cm · (59")

Abrasion resistance: Rubs · EN ISO 12947 (Martindale) 45.000

Pilling: Note 3, EN ISO 12945

Maintenance: Vacuuming and dry cleaning

Flammability: AS/NZS 1530.3, BS 5852 Crib 5, BS 5852 ignition source 3, BS 5852 part 1, BS 5867 part 2 type B, EN 1021-1/2, EN 13501, C-s1, d0, glued, NF D 60 013, NFPA 260, SN 198 898 5.3

with treatment *, UNI 9175 1IM, US Cal. Bull. 117-2013, ÖNORM B1/Q1

TELA Kvadrat Steelcut Trio 3

Características técnicas:

Material: New wool · Nylon 90% · 10%

Weight: 770 g/lm · (27,16 oz/lin.yd.)

Width: 140 cm · (55")

Abrasion resistance: rubs · EN ISO 12947 (Martindale) 100.000

Pilling: Note 4, EN ISO 12945

Maintenance: Vacuuming and dry cleaning

Flammability: AS/NZS 1530.3 · AS/NZS 3837 class 2 · BS 5852 Crib 5 with treatment BS 5852 part 1 · DIN 4102 B2 · EN 1021-1/2 · IMO

FTP Code 2010: Part 8 NF D 60 013 · NFPA 260 · Önorm B1/Q1 · SN

198 898 5.3 with treatment UNI 9175 1IM · US Cal. Bull. 117-2013

No use of brominated flameretardants

MANTENIMIENTO

Limpiar con un trapo húmedo con agua y jabón suave. Aclarar y secar con un trapo seco. Evitar el uso de productos abrasivos.