

Technical specifications  
(1/4)

# Gràcia swivel

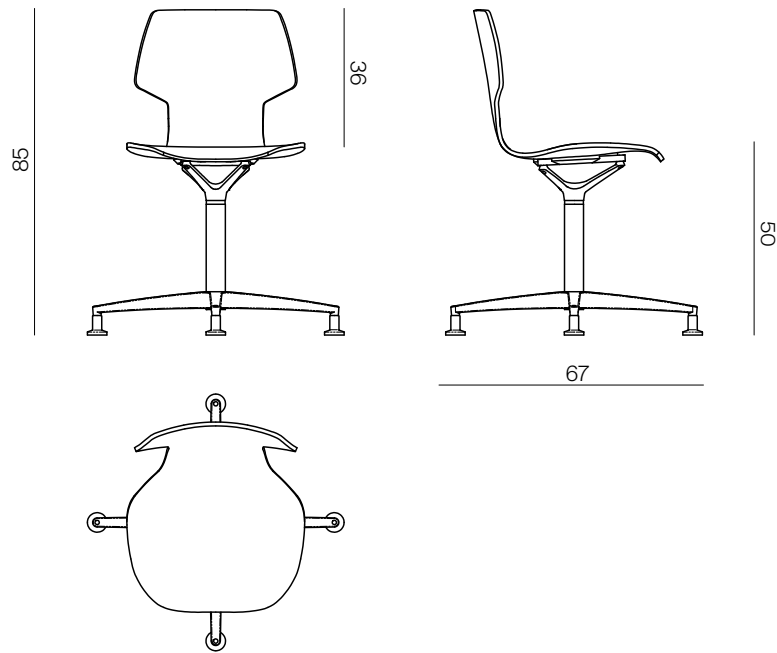
By JM Massana - JM Tremoleda



**Mobles114**

# Technical specifications

(2/4)



\*Metric unit cm

## PRODUCT

Units	Weight
1	8,5 kg

## PACKAGING

Units	Weight	Dimensions	Volume
1	9,5 kg	57x57x57 cm	0,19 m <sup>3</sup>

All packaging is double recyclable cardboard.

## MATERIALS AND COLORS

### Structure (steel)



RAL 9002 RAL 9004

### Seat (wood)



Oak Walnut

### Cushion (polyurethane)



RAL 9002 RAL 7022 RAL 6003 RAL 2001

### Cushion (upholstered)



Dark gray 60021 Brown 61103 Light gray 61104 Terracotta 61151 Mustard 62057 Green 68165

# Technical specifications

(3/4)

## CERTIFICATIONS AND REGULATIONS

**Fire retardant::** UNE EN 1021-1:15 | UNE EN 102-2:15

**Resistance in domestic use:** UNE-EN 16139:2013

**Wood:** Forest Stewardship Council (FSC)

## MATERIALS AND FINISHES

### Structure

Radial base made of cast aluminum with an outer diameter of 640 mm and a height of 60 mm. At the four floor contact points, there are sliding pads with a felt base.

The upper support, also made of cast aluminum, is fixed to the housing with four DIN 7991 M6x25 screws.

The swivel column features a self-return system without height adjustment.

The entire assembly is finished with epoxy powder coating in white RAL 9010 or black RAL 9004.

### Seat

Shell made of curved wood composed of 9 layers of beech, each 1.2 mm thick on the inside, and 2 layers of oak or walnut, each 0.6 mm thick on the outside. All layers are opposed and bonded, making a total thickness of 12 mm. A solid beech wood disc with a diameter of 220 mm and a thickness of 24 mm, veneered in oak or walnut, is machined to position and secure the structure. Finished with water-based varnish.

Non-stackable chair.

## ACCESSORIES

### Cushion

Optionally, it can take a cushion made of polyurethane foam injection (PUR). In order for it to be correctly positioned, this piece is attached to the chair with cyanoacrylate glue.

The cushion is available in different colors: anthracite gray RAL 7022, green RAL 6003, white RAL 9002 or orange RAL 2001, or upholstered with the different fabrics from the Mobles114 catalog.

## FABRIC Gabriel Cura

Technical specifications:

Material: Post - costumer recycled polyester · polyester 98% · 2%

Weight: 420 g/lm · (13.55 oz/lin.yd.)

Width: 140 cm · (55")

Abrasion resistance: Rubs · BS EN 14465 · BS EN ISO 12947-2

(Martindale) 100,000. Double rubs wyzenbeek (ASTM D4157)

(Heavy Duty Upholstery) 100,000

Pilling: Scale 1-5 max. 5 · EN ISO 12945-2

Maintenance: Wash or dry cleaning. Flame retardant performance

is dependent upon the foam used. Contain no Flame Retardant

chemical.

Flammability: EN 1021 1&2 · BS 5852 0&1 · CA TB 117 - 2013

Will also pass other flammability standards.

40°C · Shrinkage max. 1,0%

60°C · Shrinkage max. 2,0%

## FABRIC Spardling Valencia

Technical specifications:

Material: Vinyl / Urethane

Weight: 650 g/m<sup>2</sup>

Width: 137 cm · (53")

Abrasion resistance: >300.000 cycled (Martindale)

Pilling: Scale 1-5 max. 5 · EN ISO 12945 - 2

Maintenance: For light soiling, a solution of 10% household liquid

dishsoap in warm water, applied with a soft damp cloth. Rinse

with clean water and dry. Do not use with alcohol based cleaning

agents.

Flammability: EN: 1021 1&2 · ES: UNE 23.727-90 1R/M.2 · FR: NF

P 92-503/M2 DE: DIN 4102 B2 · AT: ÖNORM B 3825, Gruppe 1 -

Schwerbrennbares IT: UNI 9175 (1987) / UNI 9175/FA1 (1994) Classe

1.1M (UNO I EMME) AT: ÖNORM A 3800 Teil 1, Qualmbildungsklasse

Q1 - schwachqualmend IMO FTP 2010 Code MSC.307 (88) Part 8

3.1 & 3.2 · US: FMVSS 302 US: FAR 25/853 · ECE R118.02 (replaces

Directive 95/28/CE) 6, 7 & 8 EN 71-2:2006+A1:2007 - Safety of

Toys - Parte 2: Flammability

## FABRIC Gabriel Step

Technical specifications:

Material: Trevira CS 100%

Weight: 470 g/lm · (15.16 oz/lin.yd.)

Width: 140 cm · (55")

Abrasion resistance: Rubs · EN ISO 12947-2 (Martindale) 100,000

Double rubs wyzenbeek (ASTM D4157-07) (Heavy duty upholstery)

100,000.

Pilling: Scale 1-5 max. 5 · EN ISO 12945 - 2

Maintenance: Wash or dry cleaning. Can be wiped with Virkon S,

Actichlor Plus, Prime Source ren 93 or Ethanol (70-85%). Always

follow the manufacturer's instructions and finish by wiping with a

damp cloth. 60°C · Shrinkage max. 3,0% / 74°C · Shrinkage max.

5,0%

Flammability: CA TB 117 - 2013 BS 7176 Medium Hazard. AM 18 - NF

D 60-013-(only for fabric) · DIN 4102 B1 · NFP 92-503/504/505 M1.

BS EN 1021 1&2 · BS 5852 Part 1 0,1 Cigarette & match · BS 5852

Crib 5. Class Uno UNI 9175 Class 1 | EMME · ÖNORM B 3825 - B1 -

3800 - Q1 UK. FAR/JAR 25.853 (a) (i) (ii) · IMO MSC 307(88) Anne x 1

part 8. MED Certificate IMO · DIN EN 13501 - 1 B-s1, d0.

Will also pass other flammability standards. Flame retardant

performance is dependent upon the foam used.

# Technical specifications

(4/4)

## FABRIC Gabriel Step Melange

Technical specifications:

Material: Trevira CS 100%

Weight: 470 g/lm · (15.16 oz/lin.yd.)

Width: 140 cm · (55")

Abrasion resistance: Rubs · EN ISO 12947-2 (Martindale) 100,000

Double rubs wyzenbeek (ASTM D4157-07) (Heavy duty upholstery) 100,000.

Pilling: Scale 1-5 max. 5 · EN ISO 12945 - 2

Maintenance: Wash or dry cleaning. Can be wiped with Virkon S, Actichlor Plus, Prime Source ren 93 or Ethanol (70-85%). Always follow the manufacturer's instructions and finish by wiping with a damp cloth. 60°C · Shrinkage max. 3,0% / 74°C · Shrinkage max. 5,0%

Flammability: CA TB 117 - 2013 BS 7176 Medium Hazard. AM 18 - NF D 60-013-(only for fabric) ·

DIN 4102 B1 · NFP 92-503/504/505 M1. BS EN 1021 1&2 · BS 5852

Part 1 0,1 Cigarette & match · BS 5852 Crib 5. Class Uno UNI 9175

Class 1 | EMME · ÖNORM B 3825 - B1 - 3800 - Q1 UK. FAR/JAR

25.853 (a) (i) (ii) · IMO MSC 307(88) Anne x1 part 8. MED Certificate

IMO · DIN EN 13501 - 1 B-s1, d0.

Will also pass other flammability standards. Flame retardant performance is dependent upon the foam used.

## FABRIC Gabriel Capture

Technical specifications:

Material: New Zealand wool · polyamide 85% · 15%

Weight: 475 g/lm 3 (15.32 oz/lin.yd.)

Width: 140 cm · (55")

Abrasion resistance: Rubs · BS EN 14465 · BS EN ISO 12947 - 2

(Martindale) rubs 200,000. Martindale · ASTM D4966 - 02 (Heavy Duty Upholstery) 200,000

Pilling: Scale 1-5 max. 5 · EN ISO 12945 - 2

Maintenance: Dry cleaning

Flammability: EN 1021 1&2 · BS 5852 0&1 · CA TB 117 - 2013. Class

Uno UNI 9175 Class 1 | EMME

Will also pass other flammability standards. Flame retardant performance is dependent upon the foam used. Contain no Flame Retardant chemical.

## FABRIC Kvadrat Remix 2

Technical specifications:

Material: New wool · Nylon 90% · 10%

Weight: 415 g/lm · (14.63 oz/lin.yd.)

Width: 138 cm · (54")

Abrasion resistance: Rubs · EN ISO 12947 (Martindale) 100.000

Pilling: Note 4, EN ISO 12945

Maintenance: Vacuuming and dry cleaning

Flammability: AS/NZS 1530.3 · BS 5852 Crib 5 with treatment · BS

5852 part 1. EN 1021-1/2 · IMO FTP Code 2010: Part 8 · NF D 60 013

· NFPA 260. Önorm B1/Q1 · UNI 9175 11M · US Cal. Bull. 117-2013.

No use of brominated flame retardants.

## FABRIC Kvadrat Divina Melange

Technical specifications:

Material: New wool 100%

Weight: 820 g/lin.m

Width: 150 cm · (59")

Abrasion resistance: Rubs · EN ISO 12947 (Martindale) 45.000

Pilling: Note 3, EN ISO 12945

Maintenance: Vacuuming and dry cleaning

Flammability: AS/NZS 1530.3, BS 5852 Crib 5, BS 5852 ignition

source 3, BS 5852 part 1, BS 5867 part 2 type B, EN 1021-1/2, EN

13501, C-s1, d0, glued, NF D 60 013, NFPA 260, SN 198 898 5.3

with treatment \*, UNI 9175 11M, US Cal. Bull. 117-2013, ÖNORM B1/Q1

## FABRIC Kvadrat Steelcut Trio 3

Technical specifications:

Material: New wool · Nylon 90% · 10%

Weight: 770 g/lm · (27,16 oz/lin.yd.)

Width: 140 cm · (55")

Abrasion resistance: rubs · EN ISO 12947 (Martindale) 100.000

Pilling: Note 4, EN ISO 12945

Maintenance: Vacuuming and dry cleaning

Flammability: AS/NZS 1530.3 · AS/NZS 3837 class 2 · BS 5852 Crib

5 with treatment BS 5852 part 1 · DIN 4102 B2 · EN 1021-1/2 · IMO

FTP Code 2010: Part 8 NF D 60 013 · NFPA 260 · Önorm B1/Q1 · SN

198 898 5.3 with treatment UNI 9175 11M · US Cal. Bull. 117-2013

No use of brominated flameretardants

## MAINTENANCE

Clean with a damp cloth with mild soap and water. Rinse and dry with a dry cloth. Avoid using abrasive products.